

SCOTT GENIUS TC SHOCK SERVICE/ WARRANTY CLAIM**Warranty Information**

The standard warranty period for Scott Genius TC shocks (for Genius MC or RC) is 1 year, but it may be extended to 2 years by sending the shock in for maintenance by the end of the first year from date of purchase.

Types of Shock Maintenance

Scott offers two types of Genius TC shock maintenance – basic and deluxe. Users are recommended to send in their shocks for the **basic maintenance** once a year and the **deluxe maintenance** every 2 years.

 BASIC MAINTENANCECost: SGD 120.00¹

- > new oil
- > all seals of air can
- > all sliders
- > new decals

 **DELUXE MAINTENANCE/
OUT-OF-WARRANTY REPAIRS**Cost: SGD 185.00¹

- > new oil
- > all seals of moving parts
- > all sliders
- > all O-rings
- > new decals

 WARRANTY CLAIMCost: No charge¹

Make sure you include all the following:

1. the shock
2. this filled out warranty claim below
3. a copy of the customer's purchase receipt of the bike or of the shock.

Scott reserves the right to reject the warranty claim if the form is incomplete, or if the receipt is not provided or if the shock has been opened by a non-authorized person.

Customer Information

Name _____
 Address _____

 Email _____
 Tel _____
 Date _____

¹ All prices above exclude shipping.

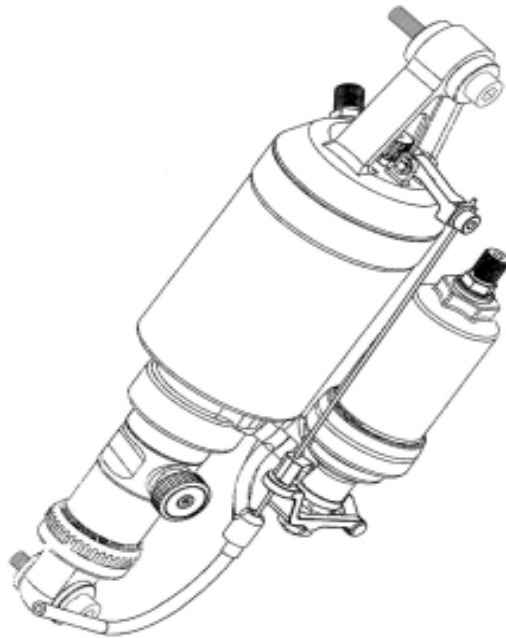
Bike model _____
 Model year _____
 Frame number _____
 Shock number _____

Defective part

- air valve / air leaking
- air can seal / air leaking
- oil seal / oil leaking
- bushing upper end
- bushing lower end
- rebound / rebound-screw
- lockout / lockout-screw
- others

Problem Description

Please indicate in the drawing >



Please be as precise as possible, you will help us to speed up our service and to ensure quality. If possible, indicate the defective area with red scotch tape on the actual shock.

Please return to Authorized Shock Service Center:

Kian Hong Cycle Pte Ltd 3 Kaki Bukit Road 1, #B1-05 Eunos Technolink, Singapore 415935
 Tel +65 67495787 Fax +65 67495789 www.khcycle.com.sg

